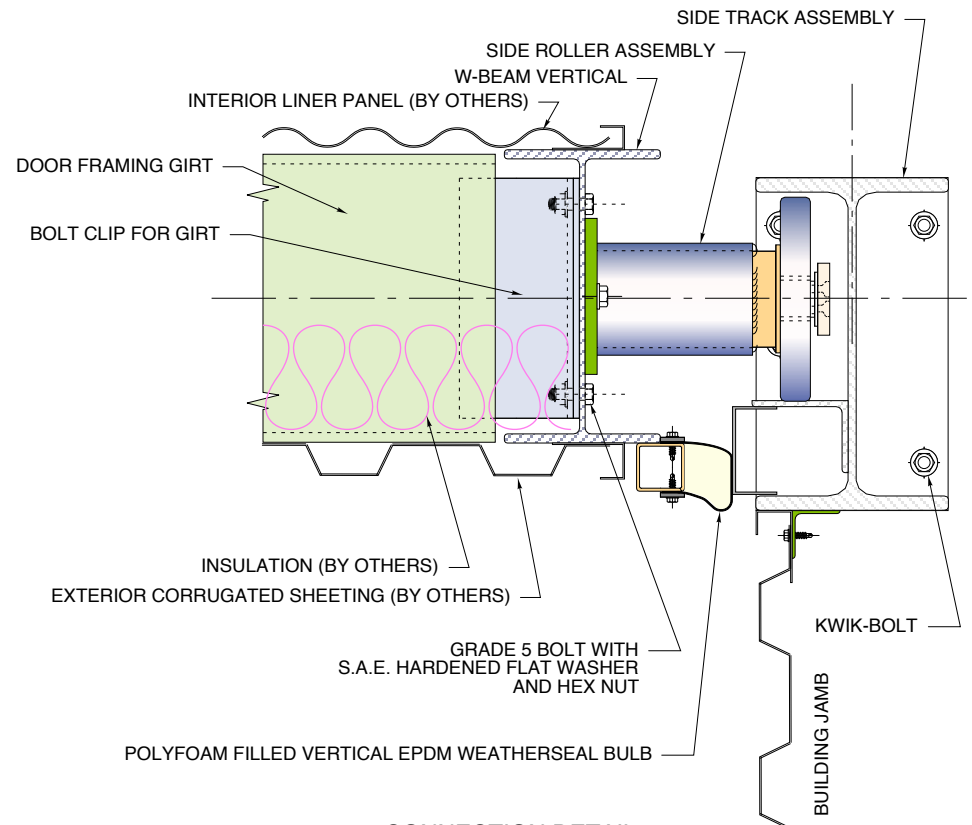
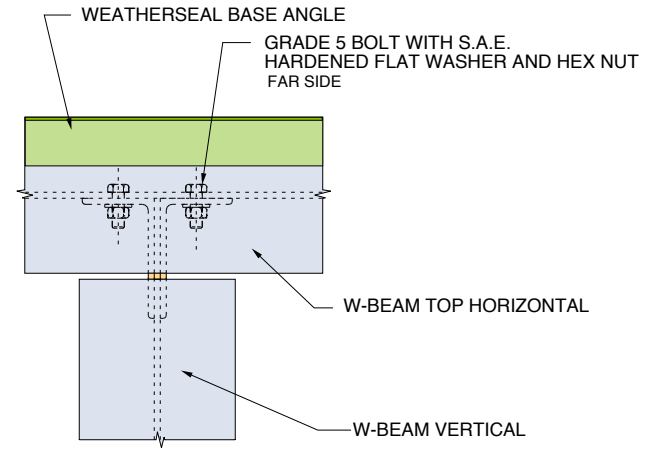


**A** CONNECTION DETAIL 1



**B** CONNECTION DETAIL 2



**C** CONNECTION DETAIL 3  
 FOR CLARITY - THE INTERIOR/EXTERIOR SHEETING AND WEATHERSEALS ARE NOT SHOWN.