

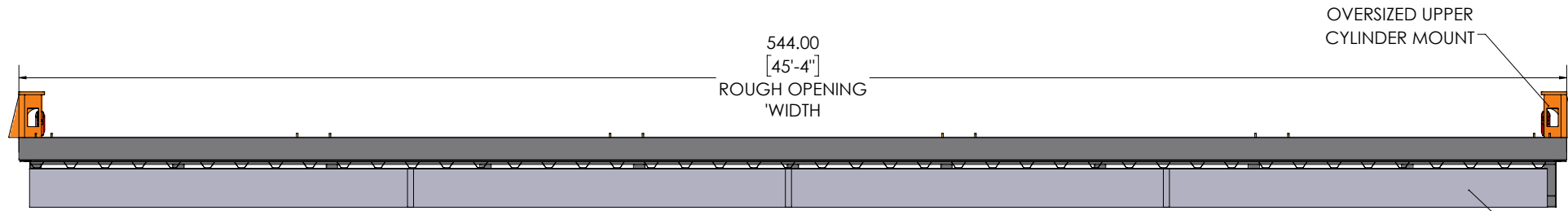
4

3

2

D

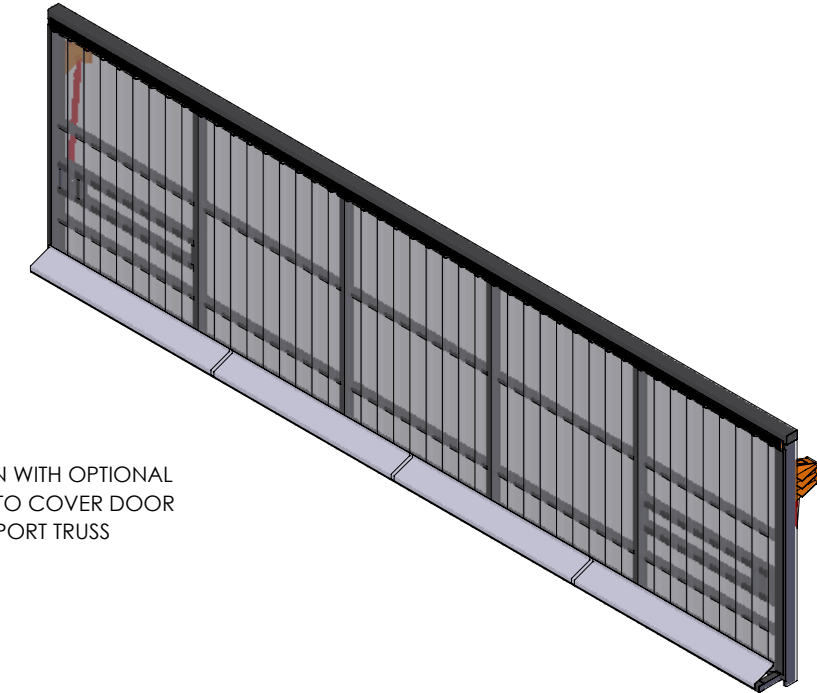
D



TOP VIEW

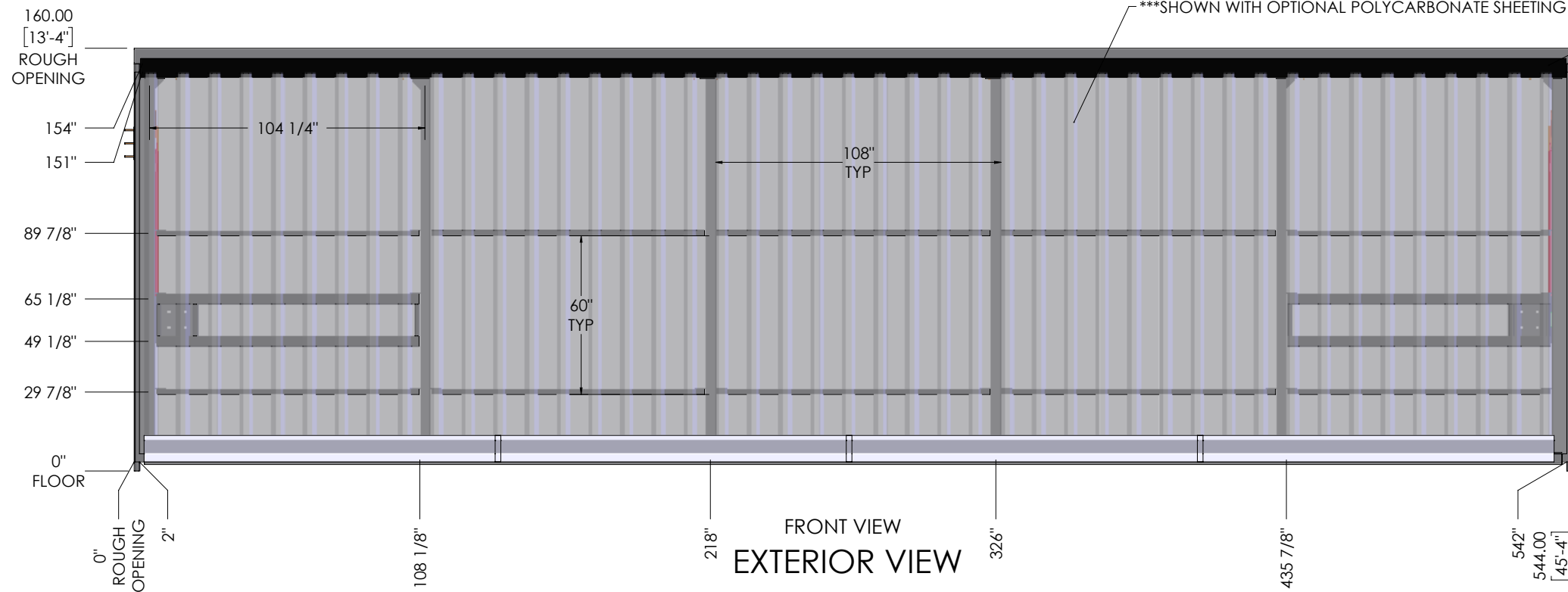
OVERSIZED UPPER CYLINDER MOUNT

*** SHOWN WITH OPTIONAL DRIP PAN TO COVER DOOR SUPPORT TRUSS



C

C



FRONT VIEW EXTERIOR VIEW

***SHOWN WITH OPTIONAL POLYCARBONATE SHEETING



EPDM TOP SEAL

16 5/8" EXTERIOR PROJECTION
2 1/2" FLOOR GAP EPDM/BULB SEALED

SIDE VIEW

A

A

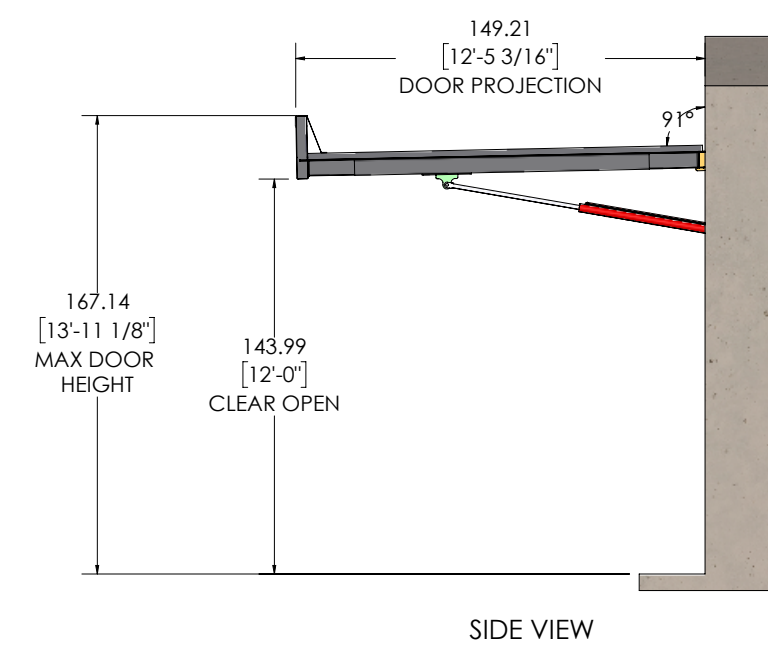
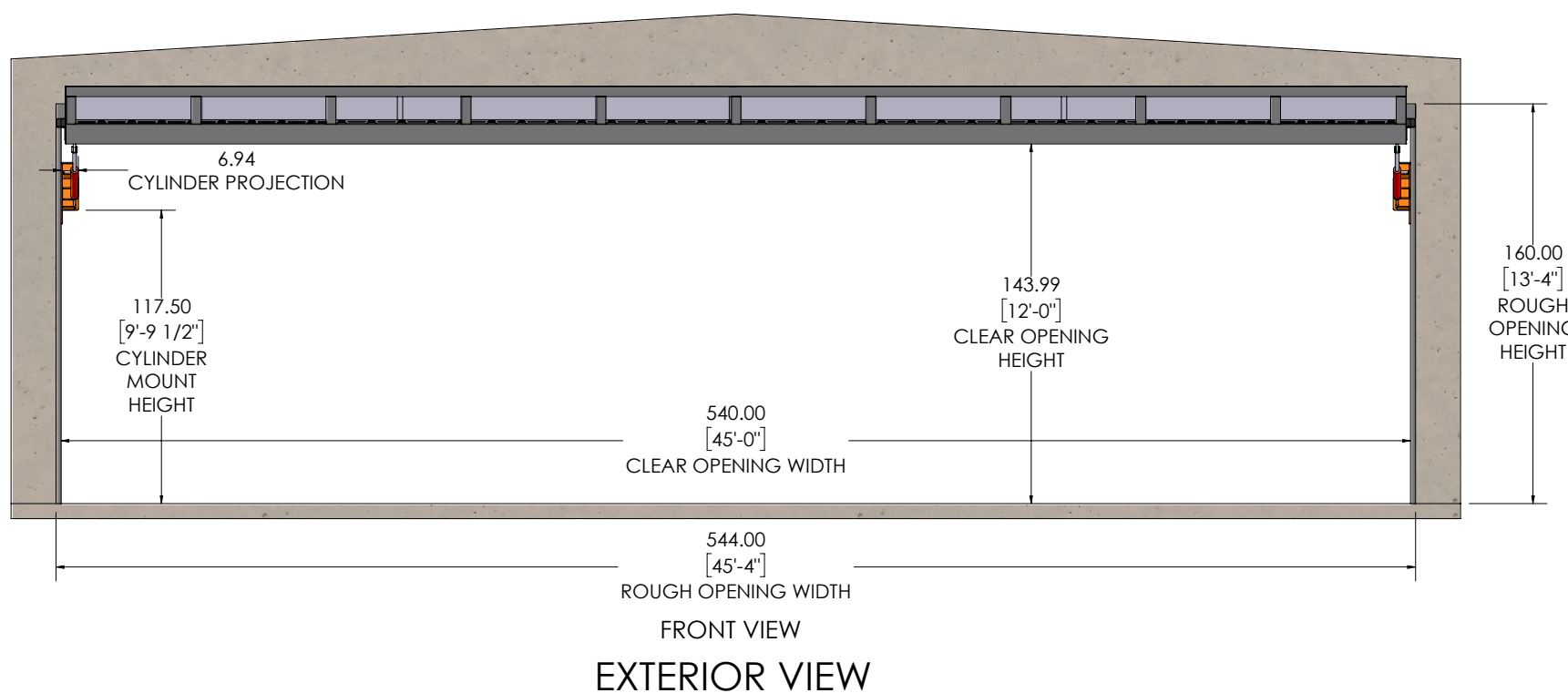
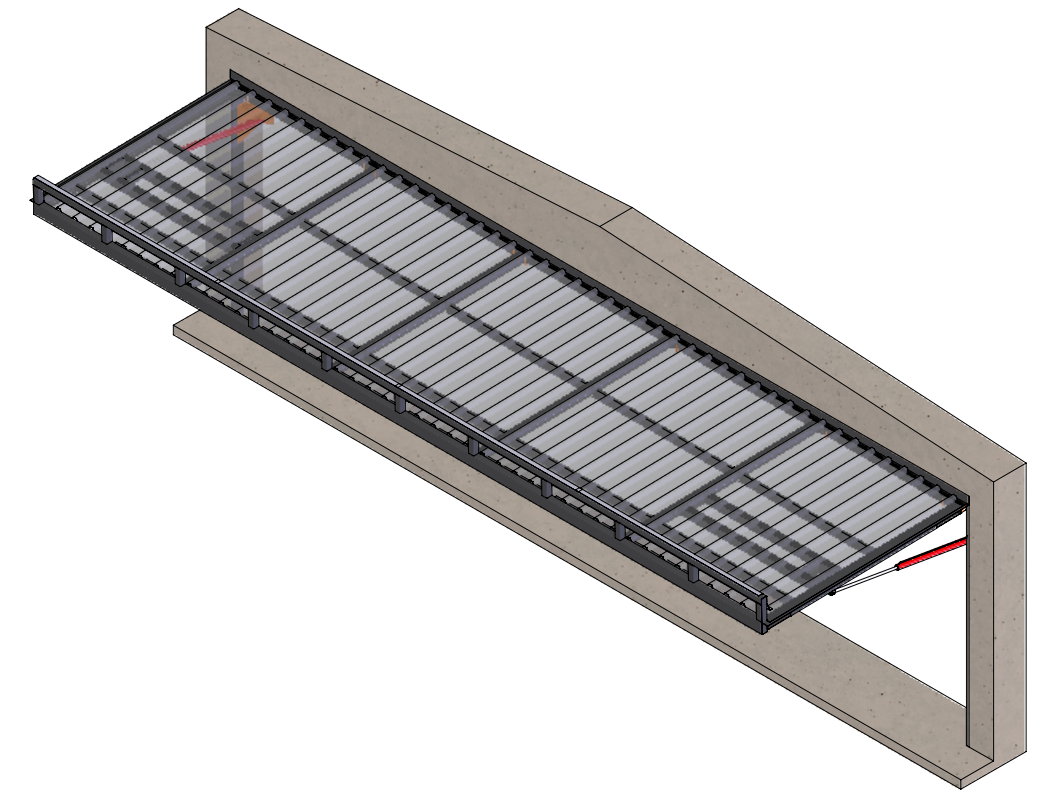
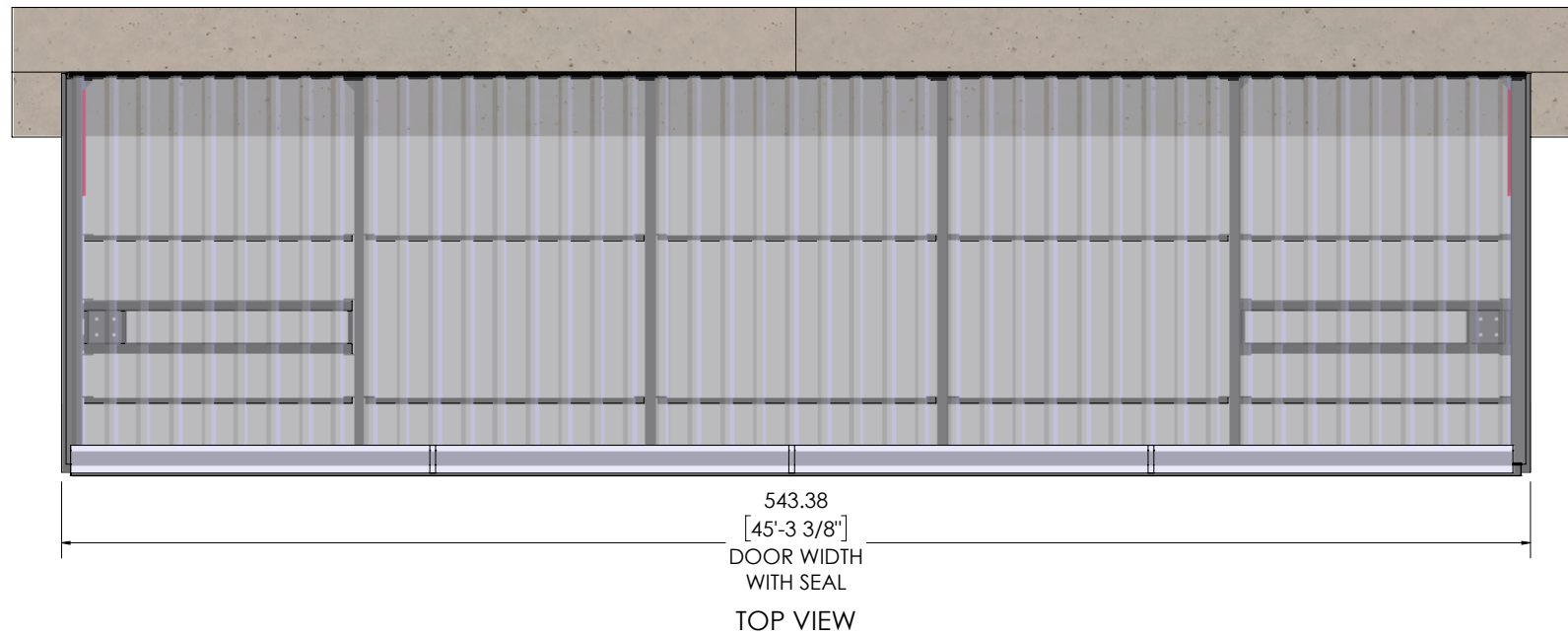
DRAWINGS ARE THE EXCLUSIVE PROPERTY OF DOOR ENGINEERING AND MANUFACTURING, LLC AND CANNOT BE USED IN WHOLE OR PART WITHOUT WRITTEN CONSENT.		 A SENNECA COMPANY	
MATERIAL	SEE PARTS LIST		
UNLESS OTHERWISE SPECIFIED: DIMENSIONS ARE IN INCHES		DO NOT SCALE DRAWING	
TOLERANCES:		THIRD ANGLE PROJECTION	
ANGULAR: ± 2°			
X.X = ± .1			
X.XX = ± .03			
X.XXX = ± .015			
TITLE:		45'x12'	
DRAWN BY	XXX	DATE	xx/xx/xxxx
CHECKED BY		SCALE: 1:55	MASS: 6409.40
		SIZE	DWG. NO. 20XXXHD-1
			REV 1
		SHEET 1 OF 3	

4

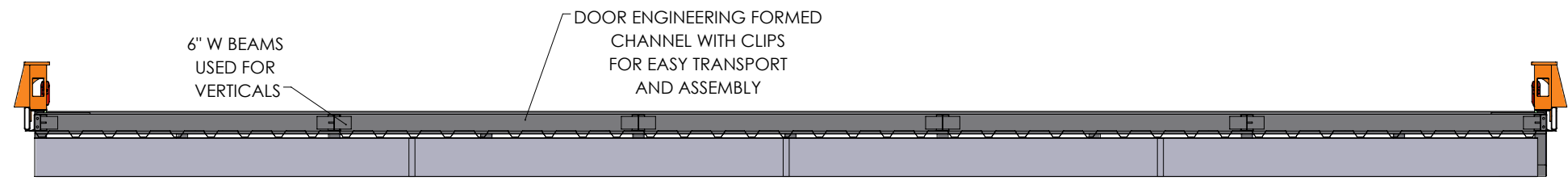
3

2

1

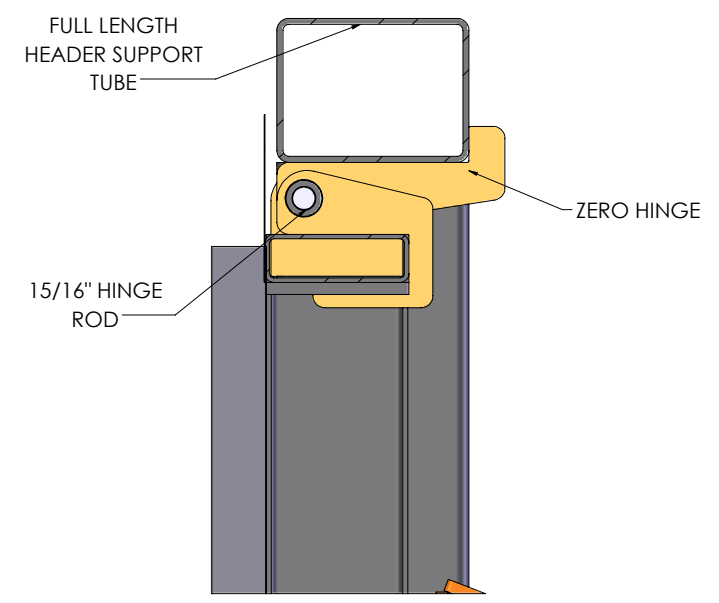


PROPRIETARY AND CONFIDENTIAL DRAWINGS ARE EXCLUSIVE PROPERTY OF DOOR ENGINEERING AND MANUFACTURING, LLC AND CANNOT BE USED IN WHOLE OR PART WITHOUT WRITTEN CONSENT.	SIZE	DWG. NO.	REV
	B	20XXXHD-1	1
	SCALE: 1:70		SHEET 2 OF 3



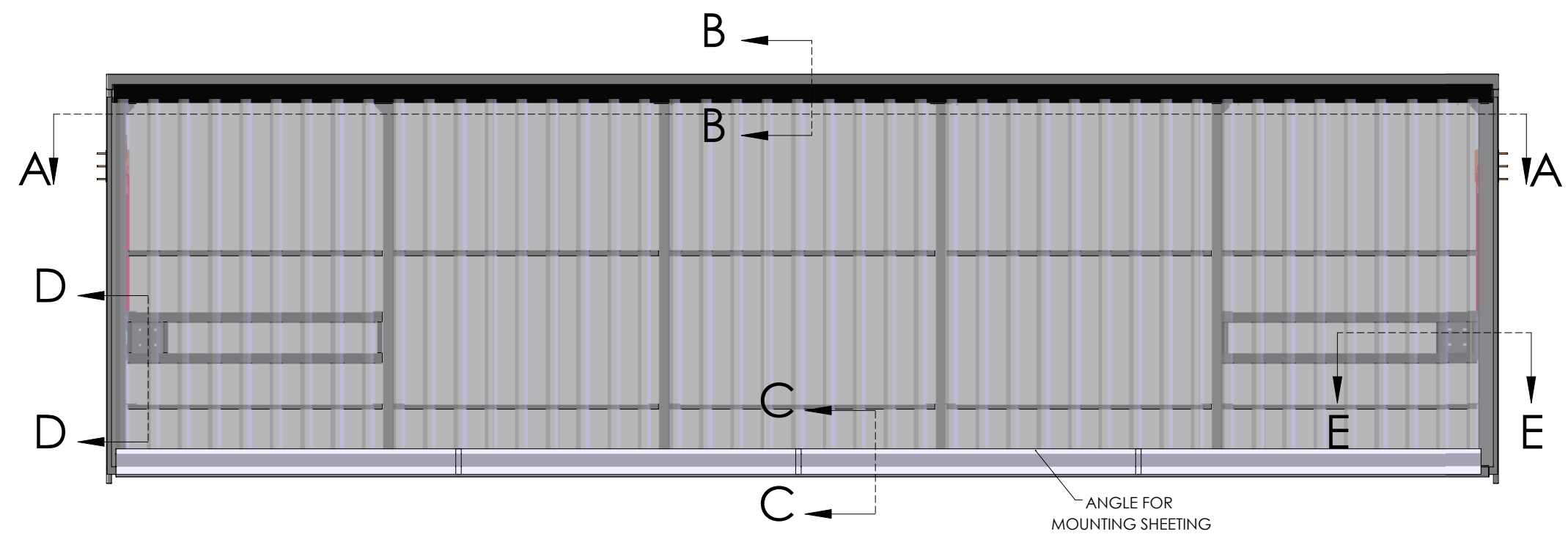
6" W BEAMS USED FOR VERTICALS
DOOR ENGINEERING FORMED CHANNEL WITH CLIPS FOR EASY TRANSPORT AND ASSEMBLY

SECTION A-A

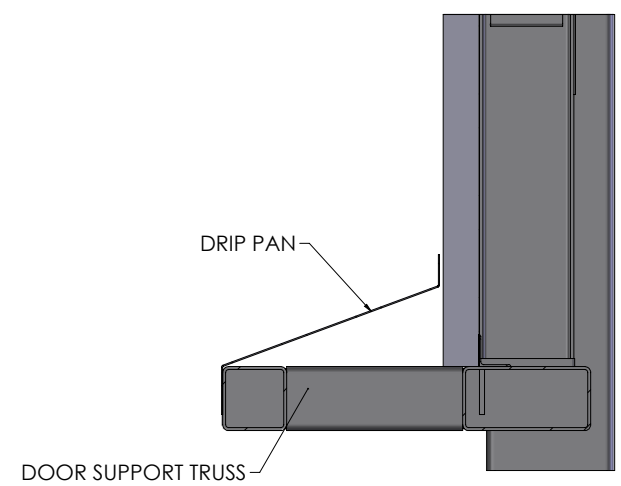


FULL LENGTH HEADER SUPPORT TUBE
ZERO HINGE
15/16" HINGE ROD

SECTION B-B
SCALE 1 : 8

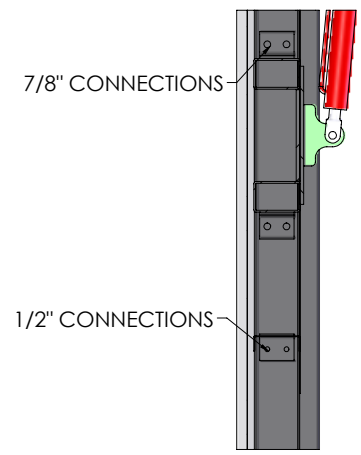


FRONT VIEW
EXTERIOR VIEW
ANGLE FOR MOUNTING SHEETING



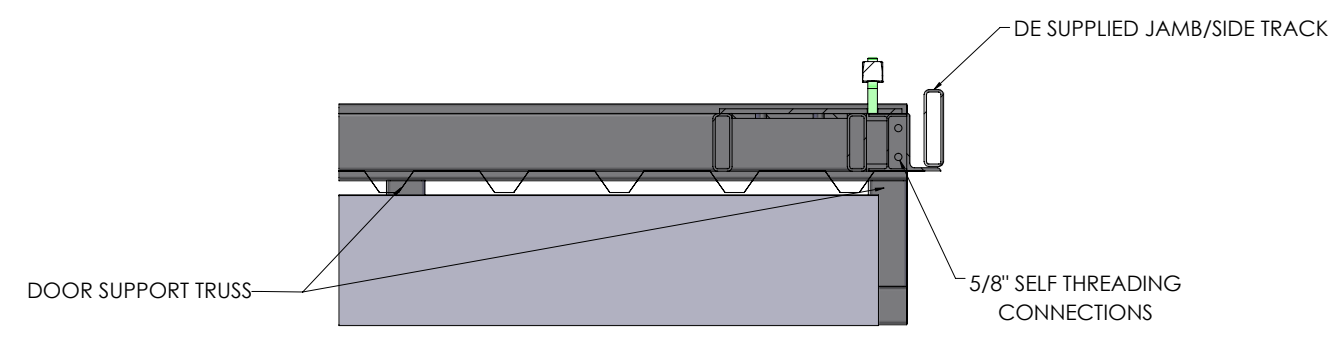
DRIP PAN
DOOR SUPPORT TRUSS

SECTION C-C
SCALE 1 : 12



7/8" CONNECTIONS
1/2" CONNECTIONS

SECTION D-D
SCALE 1 : 25



DOOR SUPPORT TRUSS
DE SUPPLIED JAMB/SIDE TRACK
5/8" SELF THREADING CONNECTIONS

SECTION E-E
SCALE 1 : 20

PROPRIETARY AND CONFIDENTIAL
DRAWINGS ARE EXCLUSIVE PROPERTY OF DOOR ENGINEERING AND MANUFACTURING, LLC AND CANNOT BE USED IN WHOLE OR PART WITHOUT WRITTEN CONSENT.

SIZE	DWG. NO.	REV
B	20XXXHD-1	1
SCALE: 1:55		SHEET 3 OF 3