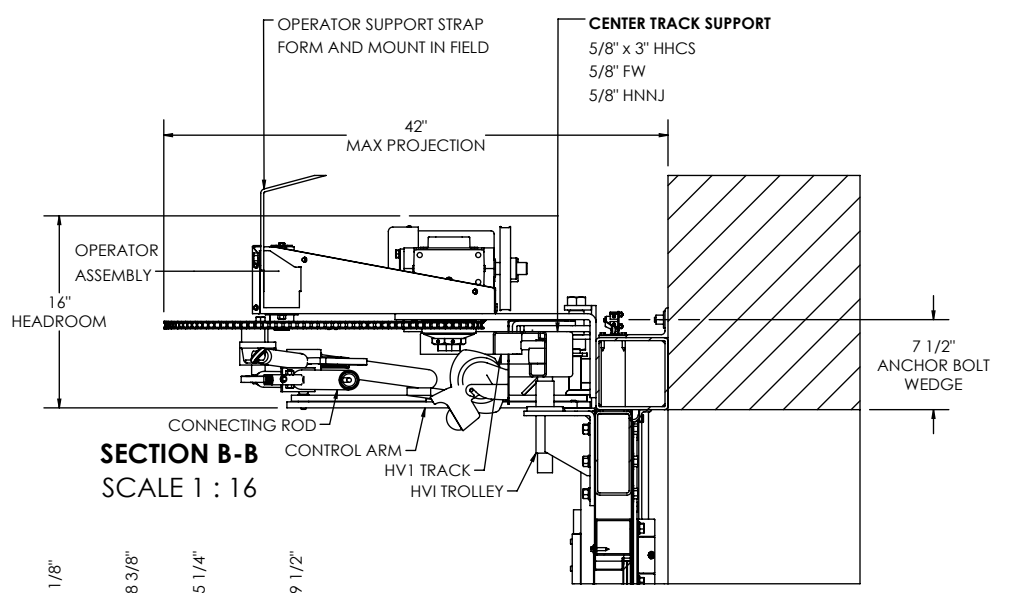


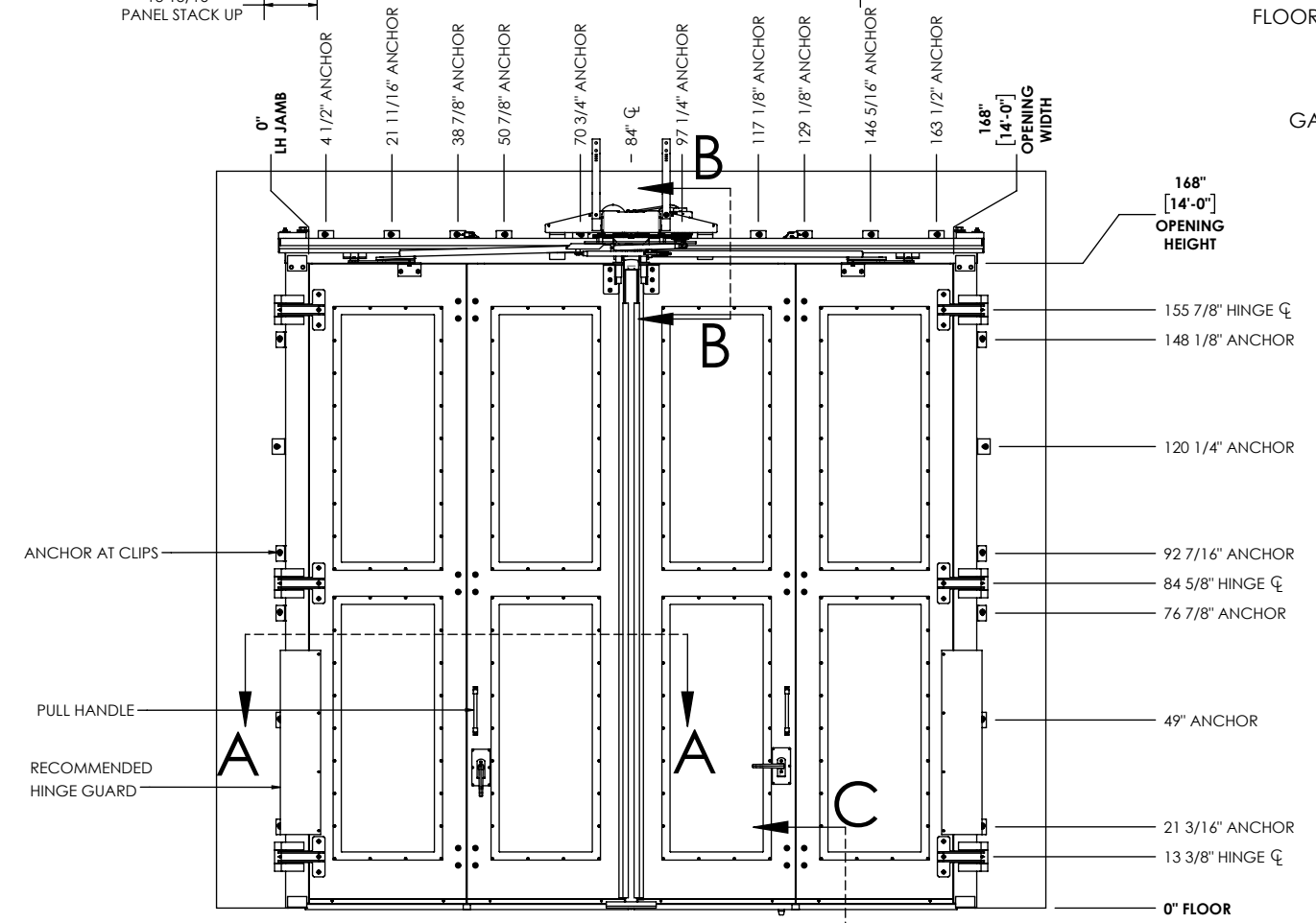
3 1/8" PANEL THICKNESS
 14 GA. STEEL SHEETING
 3/16" STEEL TUBE FRAME
 FIBERGLASS BATT INS.

SECTION C-C
 SCALE 1:8

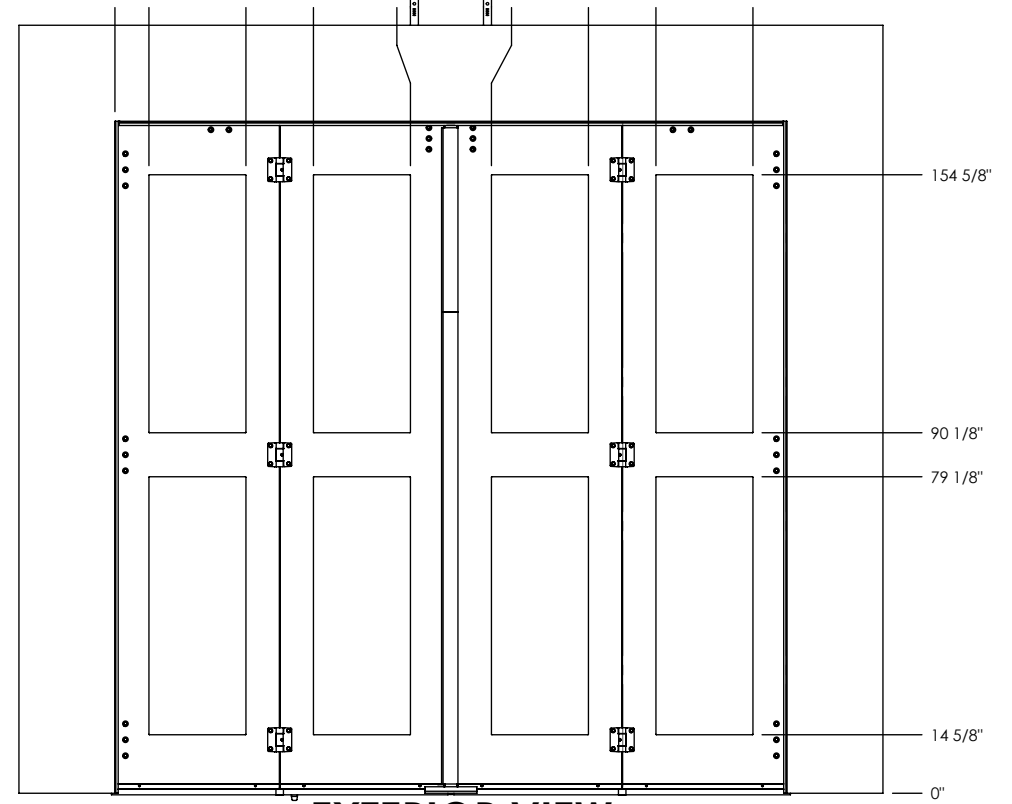


SECTION B-B
 SCALE 1:16

FLOOR SWEEP
 1 3/8" GAP FROM FLOOR
 CREMONE

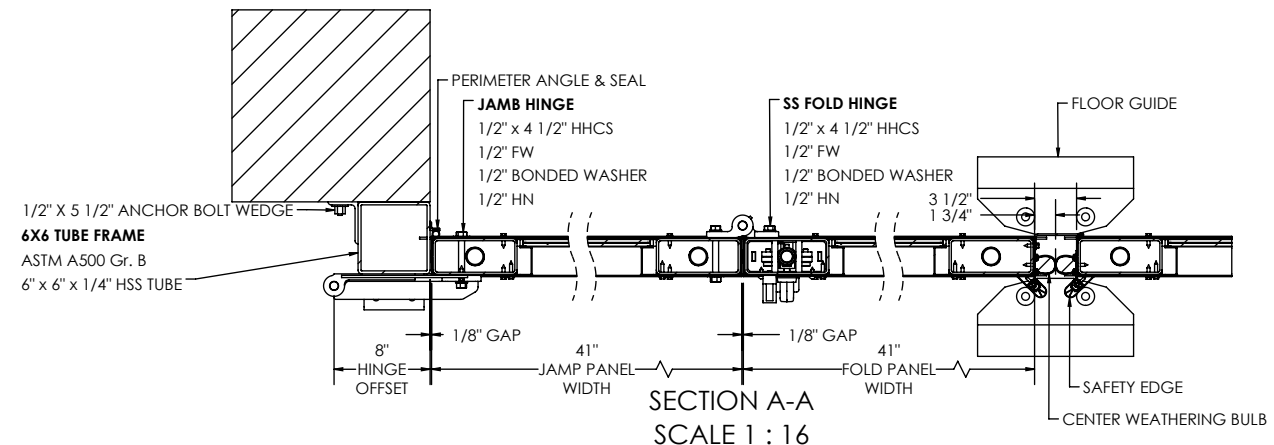


INTERIOR VIEW



EXTERIOR VIEW

TYPICAL DETAILS FOR 14'x14' DOORS ARE HURRICANE APPROVED: FBC #FL17136, 120 PSF POSITIVE AND NEGATIVE, INCLUDING LARGE MISSILE IMPACT AND HVHZ (HIGH VELOCITY HURRICANE ZONE)



SECTION A-A
 SCALE 1:16

DRAWINGS ARE THE EXCLUSIVE PROPERTY OF DOOR ENGINEERING AND MANUFACTURING, LLC AND CANNOT BE USED IN WHOLE OR PART WITHOUT WRITTEN CONSENT.		DOOR ENGINEERING A SENNECA COMPANY	
MATERIAL	SEE PARTS LIST	THICKNESS	N/A
UNLESS OTHERWISE SPECIFIED: DIMENSIONS ARE IN INCHES TOLERANCES: ANGULAR: ± 2° X.X = ± .1 (1/8") X.XX = ± .03 (1/32") X.XXX = ± .015 (1/64")		DO NOT SCALE DRAWING	TITLE: FourFold 701 Template
THIRD ANGLE PROJECTION		SIZE	DWG. NO.
DRAWN BY DSM		DATE 12/27/2018	B FF701-1
CHECKED BY		SCALE: 1:48	REV 1
		MASS: 12584.47	SHEET 1 OF 1