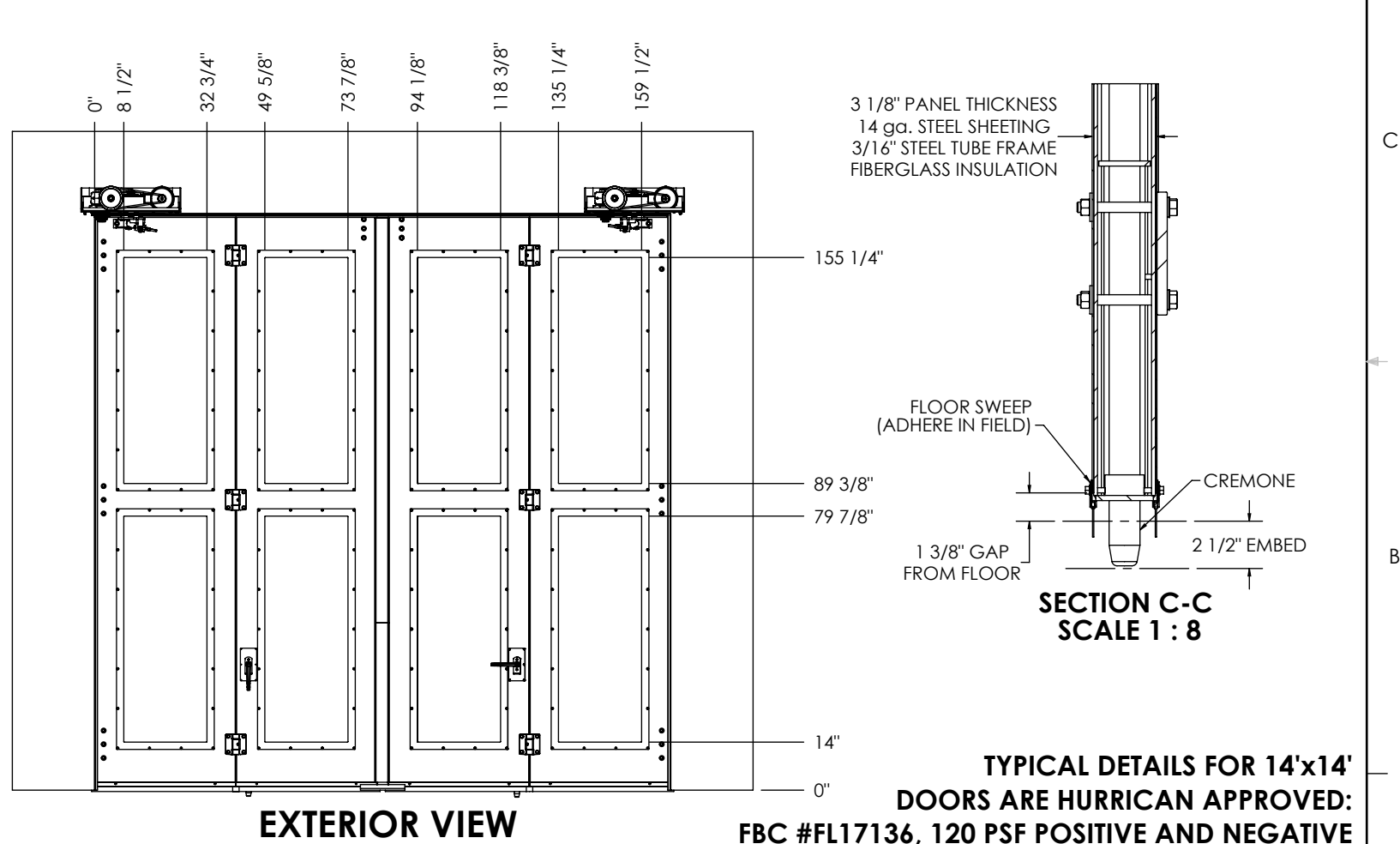
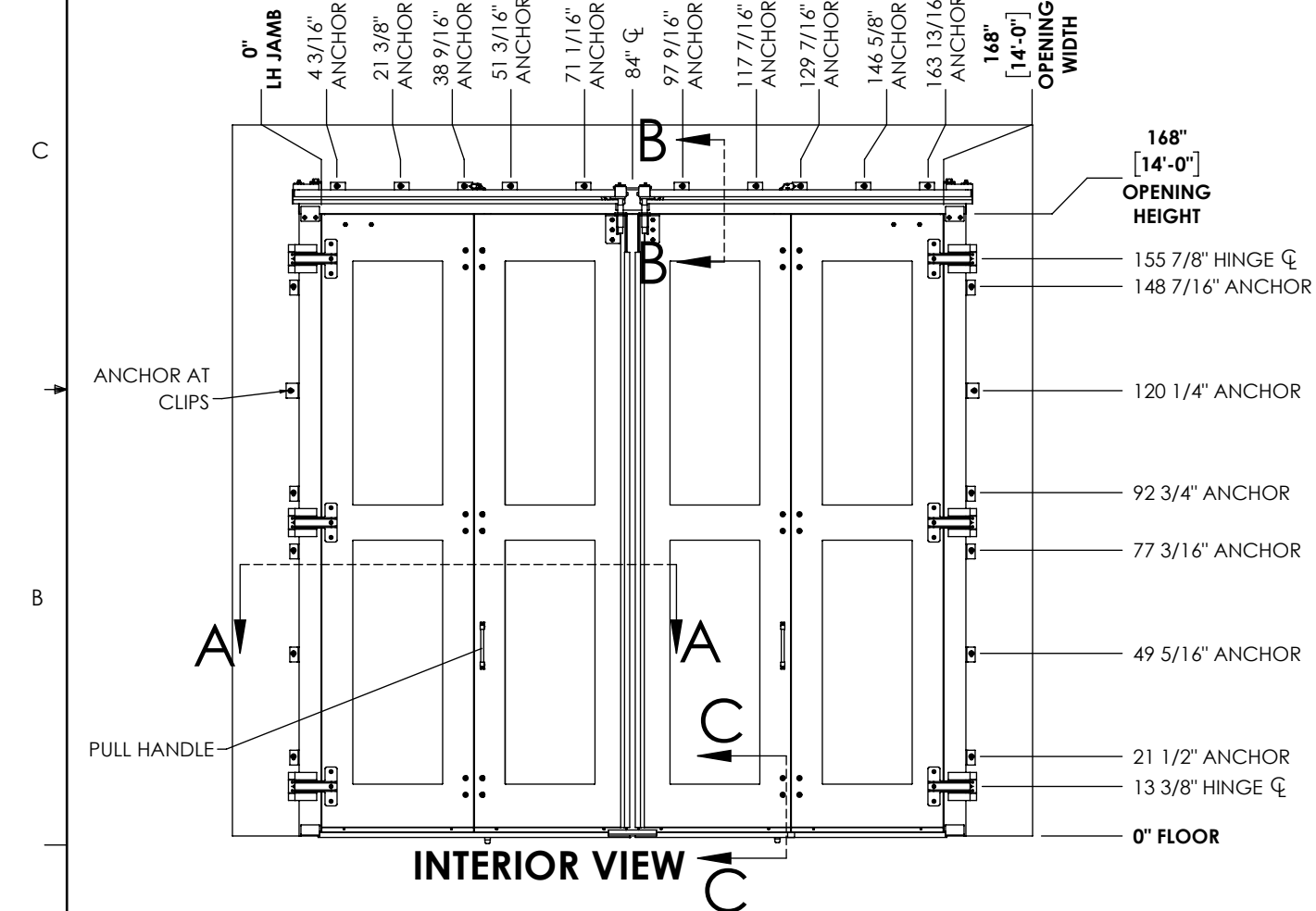
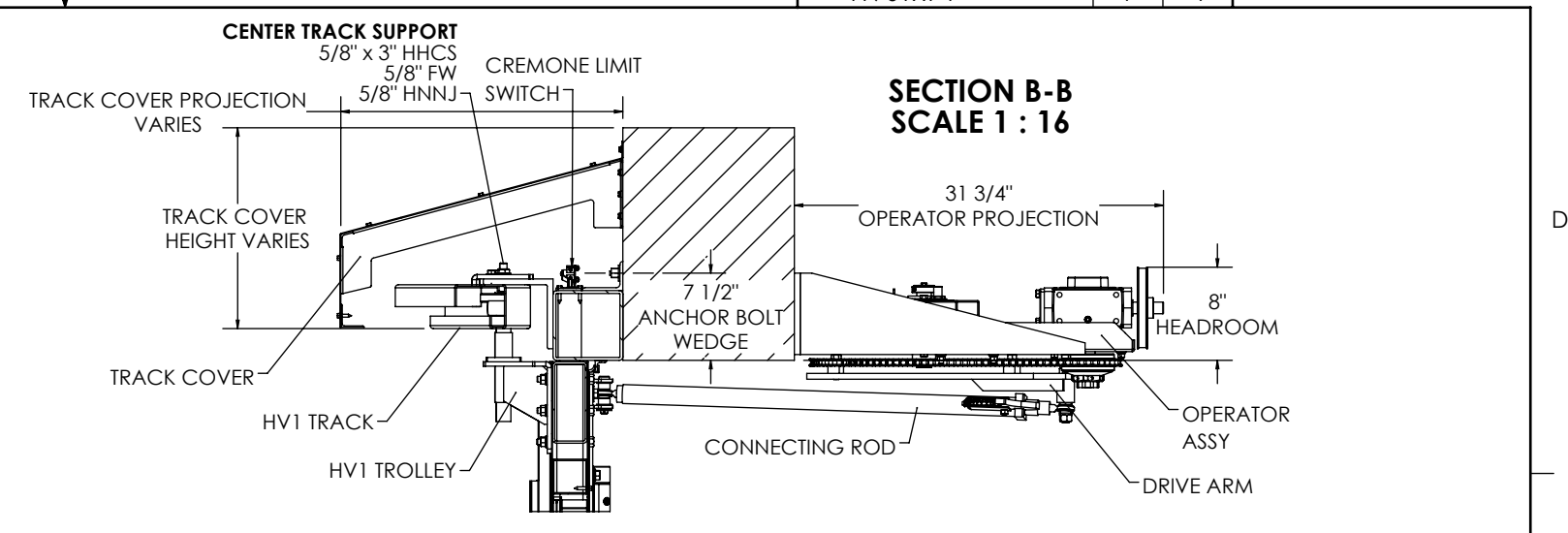
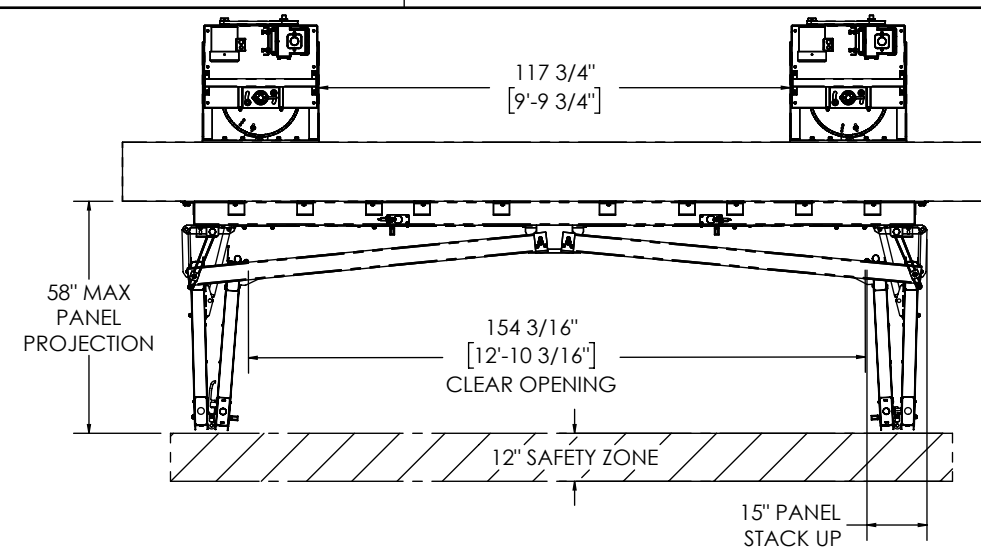


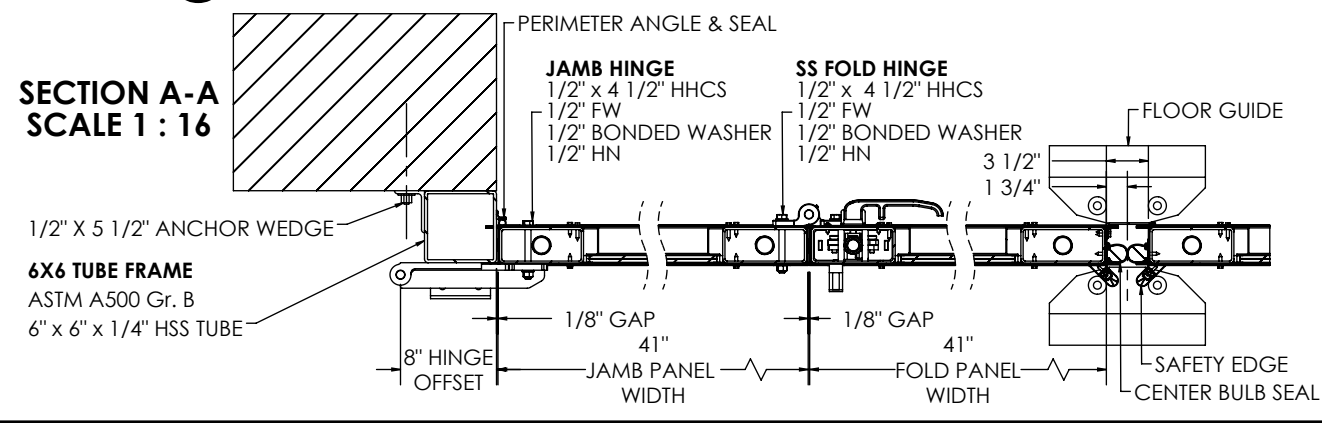
4

3

2



**TYPICAL DETAILS FOR 14'x14'
DOORS ARE HURRICAN APPROVED:
FBC #FL17136, 120 PSF POSITIVE AND NEGATIVE
INCLUDING LARGE MISSILE IMPACT AND
HVHZ (HIGH VELOCITY HURRICANE ZONE)**



DRAWINGS ARE THE EXCLUSIVE PROPERTY OF DOOR ENGINEERING AND MANUFACTURING, LLC AND CANNOT BE USED IN WHOLE OR PART WITHOUT WRITTEN CONSENT.			
MATERIAL	SEE PARTS LIST	THICKNESS	N/A
UNLESS OTHERWISE SPECIFIED: DIMENSIONS ARE IN INCHES TOLERANCES: ANGULAR: $\pm 2^\circ$ X.X = $\pm .1$ X.XX = $\pm .03$ X.XXX = $\pm .015$		DO NOT SCALE DRAWING	TITLE: FourFold 701XT Template
THIRD ANGLE PROJECTION		SIZE	DWG. NO.
		B	FF701XT-1
DRAWN BY	NAME	DATE	REV
CHECKED BY			1
SCALE: 1:48		MASS: 12630.64	SHEET 1 OF 1

4

3

2

1