
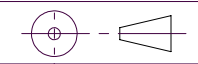
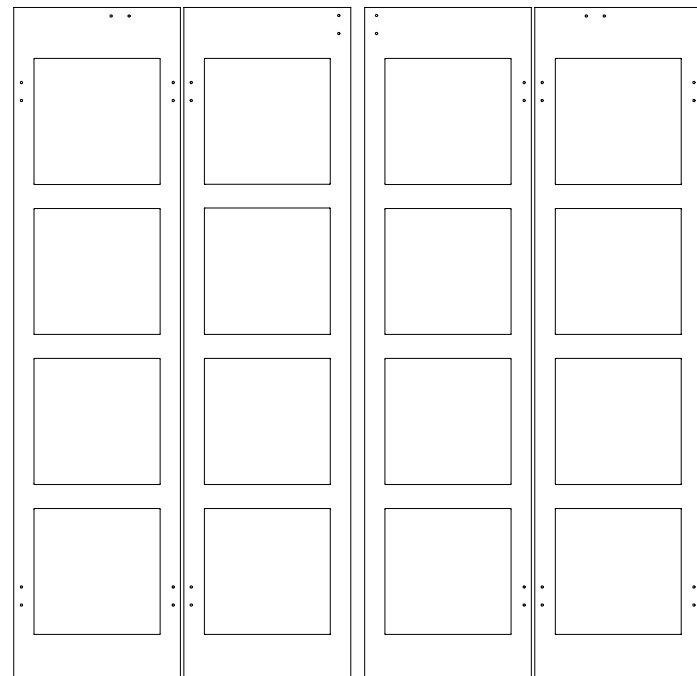


NOTES:
 1. CAULK SURFACE MOUNTED FRAME TO WALL.

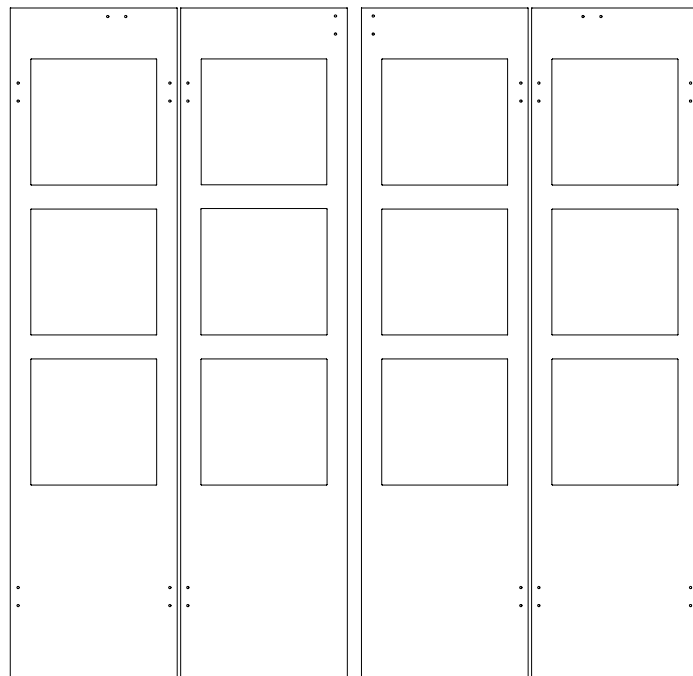
DRAWINGS ARE THE EXCLUSIVE PROPERTY OF DOOR ENGINEERING AND MANUFACTURING, LLC AND CANNOT BE USED IN WHOLE OR PART WITHOUT WRITTEN CONSENT.			
MATERIAL	SEE PARTS LIST		
UNLESS OTHERWISE SPECIFIED: DIMENSIONS ARE IN INCHES		DO NOT SCALE DRAWING	
TOLERANCES:		THIRD ANGLE PROJECTION	
ANGULAR: ± 2°			
X.X = ± .1 (1/8")			
X.XX = ± .03 (1/32")			
X.XXX = ± .015 (1/64")		TITLE: FF30	
DRAWN BY	AGM	DATE	9/20/2021
CHECKED BY		SIZE	DWG. NO. FF30
		SCALE: 1:40	REV 1
		MASS: 2260.53	SHEET 2 OF 4

WINDOW LAYOUTS:

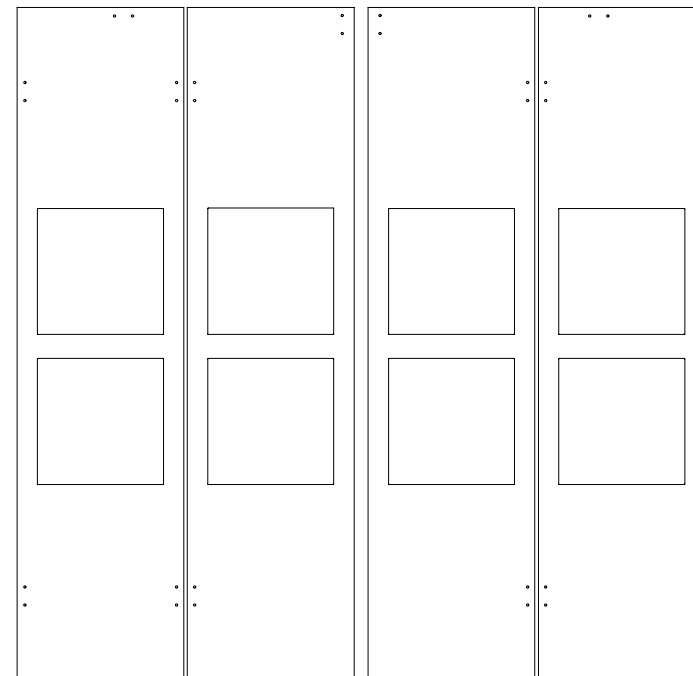
A



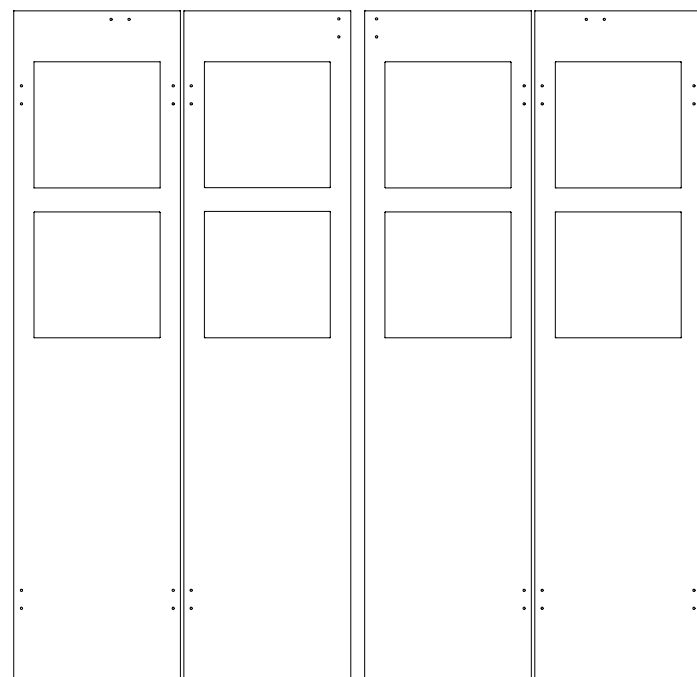
B



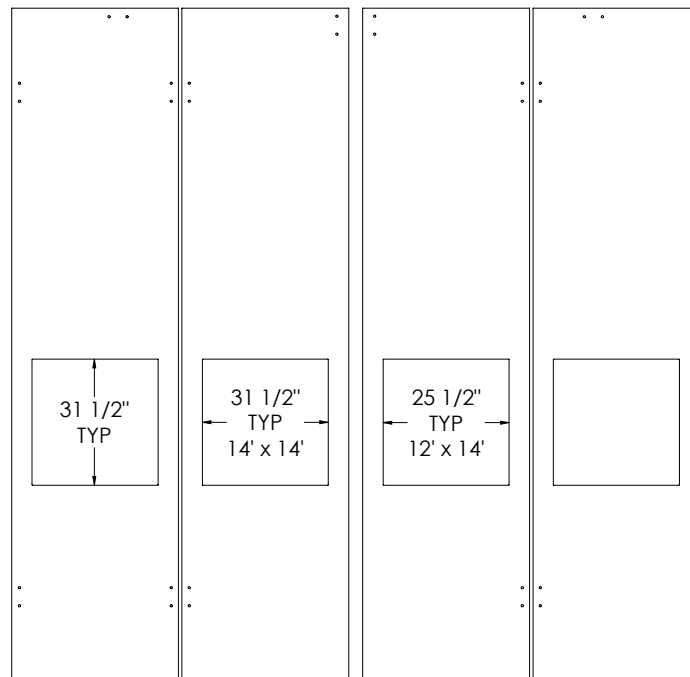
C



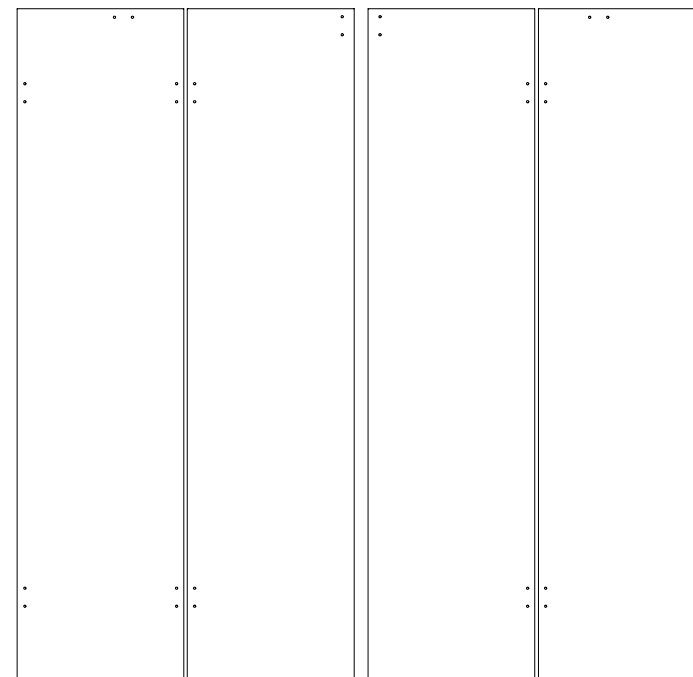
D



E



F



NOTES:

1. ALL INTERIOR AND EXTERIOR GLAZING AND FRAMES TO BE FACTORY CAULKED.

2. GLAZING SHALL BE 1" INSULATED PILKINGTON ENERGY ADVANTAGE LOW-E, TEMPERED SAFETY GLASS.

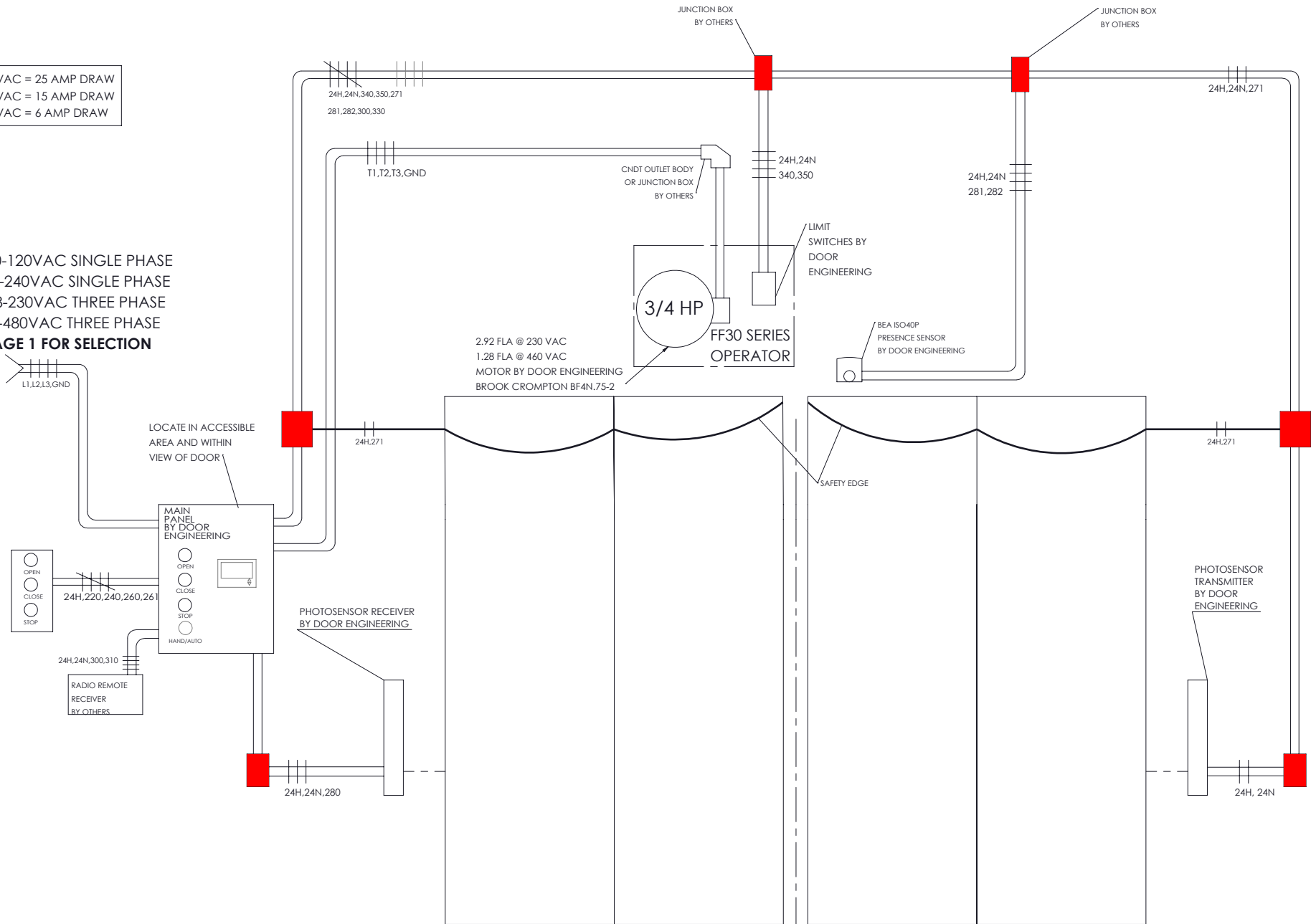
PROPRIETARY AND CONFIDENTIAL

DRAWINGS ARE EXCLUSIVE PROPERTY OF DOOR ENGINEERING AND MANUFACTURING, LLC AND CANNOT BE USED IN WHOLE OR PART WITHOUT WRITTEN CONSENT.

SIZE	DWG. NO.	REV
B	FF30	1
SCALE: 1:48	SHEET 3 OF 4	

1XX VAC = 25 AMP DRAW
 2XX VAC = 15 AMP DRAW
 4XX VAC = 6 AMP DRAW

A) 110-120VAC SINGLE PHASE
 B) 208-240VAC SINGLE PHASE
 C) 208-230VAC THREE PHASE
 D) 460-480VAC THREE PHASE
SEE PAGE 1 FOR SELECTION

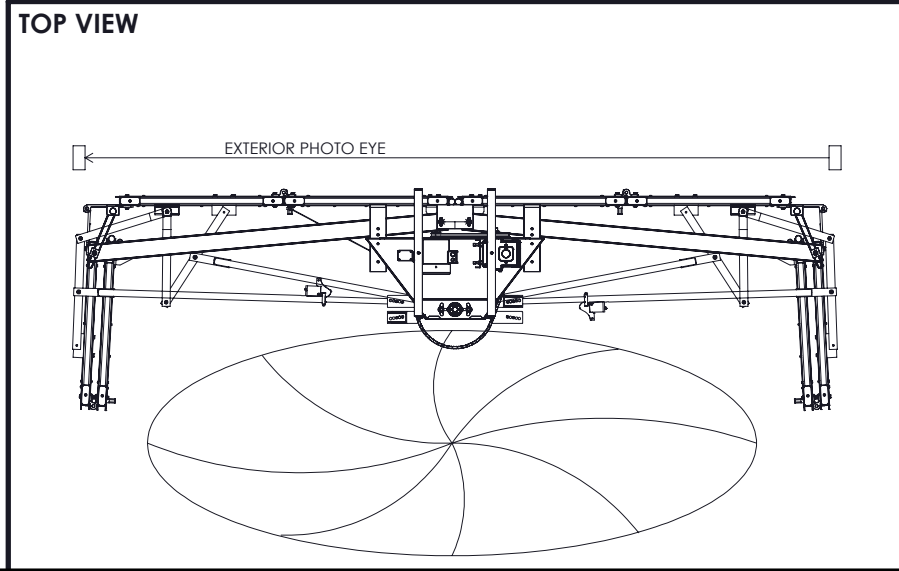


Equipment Provided by Door Engineering:

- 1) Control Panel, 1 per door**
 - "Open," "Close," "Stop" "Hand/Auto" pushbuttons on face
 - Face mounted PLC
 - 16.00" x 14.00" x 8", NEMA 4 rated
 - Power disconnect
 - VFD to adjust speed
 - N.C. Door Position "PNP" Prox Sensors By Door Eng. 10-00-214 (qty 2 Open,Closed)
- 2) Remote Pushbutton Station, "Surface Mount," 1 per door**
 - "Open," "Close," and "Stop" pushbuttons
 - 5.75 x 2.75 x 2.5, NEMA 4 rated, raised pushbuttons
 - Model: CW AUTOMATION 10-00-524
- 3) Electric Safety Edge Monitored**
 - Wired using SO-rated cord
 - Safety Edge will not open a closed door
 - Safety Edge will stop a closing door upon activation and return to "open" position
 - Door Engineering design
- 4) Safety Light Curtain, "Surface Mount", 1 per door**
 - Must be wired to use Normally Closed (N.C.) contacts
 - Thru-beam (x16) (transmitter/receiver type)
 - Activation stops a closing door and returns door to "open" position
 - IP67 Rated
 - Model: TELCO SG-13
 - Transmitter: 10-00-766
 - Receiver: 10-00-767
- 5) BEA IS40P Presence Sensor, 1 per door**
 - 1 Remote Control per job site
 - Maximum height= 16'
 - Activation stops a closing door and returns door to "open" position
 - Model: IS40P

Equipment Provided by Others (Vendor, Installer, End User, etc.)

- 1) Radio Remote Control Transmitters and Receivers**




- Field Wiring**
- 1) Fused disconnect to be provided by others. Fuses to be of time delay type with maximum rating as indicated.
 - 2) All field wiring to be a minimum 14 ga. 60 C. copper, stranded & 600 volt rated
 - 3) Terminal blocks to be tightened to max:
 - 4.4 in-lbs for small
 - 7.1 in-lbs for large
 - 4) Motor, 24vac control, and 12 vdc wiring should all be in separate conduit runs.
 - 5) All conduit hubs must have NEMA 4 rating.

- Panel Specifications**
- 1) All wiring to be 600 volt rated, stranded, copper, type MTW.
 - 2) Power wiring to be black, 14 ga.
 - 3) AC control wiring to be red (hot) and white (neut) 16 ga.
 - 4) DC control wiring to be blue, 16 ga.
 - 5) Enclosure shall have NEMA 4 rating unless otherwise specified.

CONDUIT TO ENTER BOTTOM OF PANEL
 DRAWING FOR REPRESENTATION ONLY.
 CONDUIT LAYOUT DOES NOT
 REFLECT IN FIELD CONDITIONS

DRAWINGS ARE THE EXCLUSIVE PROPERTY OF DOOR ENGINEERING AND MANUFACTURING, LLC AND CANNOT BE USED IN WHOLE OR PART WITHOUT WRITTEN CONSENT.

		TITLE: FF30	
		SIZE: B	DWG. NO.: FF30
NAME: AGM	DATE: 9/20/2021	SCALE: NTS	REV: 1
DRAWN BY: AGM		DATE: 9/20/2021	SHEET 4 OF 4