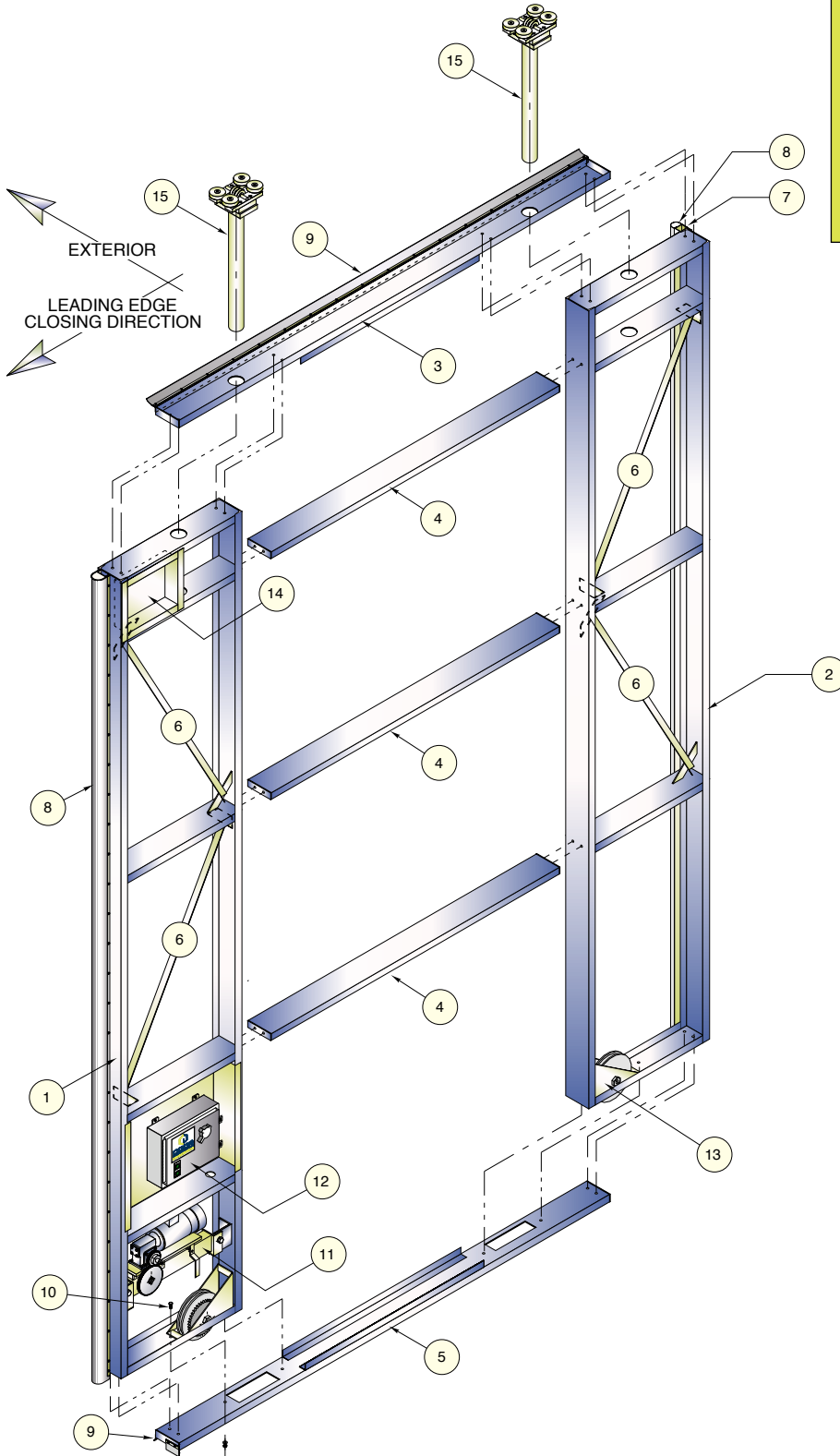


HANGAR DOOR COMPONENTS

1. DOOR FRAMING LEAD EDGE TOWER ASSEMBLY
2. DOOR FRAMING TRAIL EDGE TOWER ASSEMBLY
3. TOP SPLICE CHANNEL DOOR FRAMING
4. INTERMEDIATE CHANNELS DOOR FRAMING
5. BOTTOM SPLICE CHANNEL DOOR FRAMING
6. DOOR FRAMING CROSS-BRACING
7. FORMED VERTICAL WEATHERSEAL STAND-OFF SHEETING SUPPORT ASSEMBLY
8. VERTICAL WEATHERSEALS ARE A BULB TYPE SHEET RUBBER EPDM (ETHYLENE, PROPYLENE, DIENE, TERPOLYMER) WITH A RESILIENT URETHANE FOAM CORE
9. HEADER AND SILL WEATHERSEALS ARE SHEET TYPE RUBBER EPDM (ETHYLENE, PROPYLENE, DIENE, TERPOLYMER)
10. HEXHEAD CAP SCREWS WITH HARDENED FLAT WASHERS AND HEX NUTS
11. QUICK DISCONNECT OPERATOR ASSEMBLY
12. PRE-WIRED CONTROLS
13. SOLID STEEL WHEEL MACHINED TO FIT A.S.C.E BOTTOM RAIL
14. ELECTRICAL RECESS PAN FOR JUNCTION BOX AND LIMIT SWITCHES
15. TELESCOPING TOP ROLLER ASSEMBLY
- TWO VERTICAL ROLLERS AND FOUR HORIZONTAL ROLLERS



EXPLODED VIEW SHOWING TYPICAL FIELD ASSEMBLY REQUIRED FOR DOOR SECTIONS