

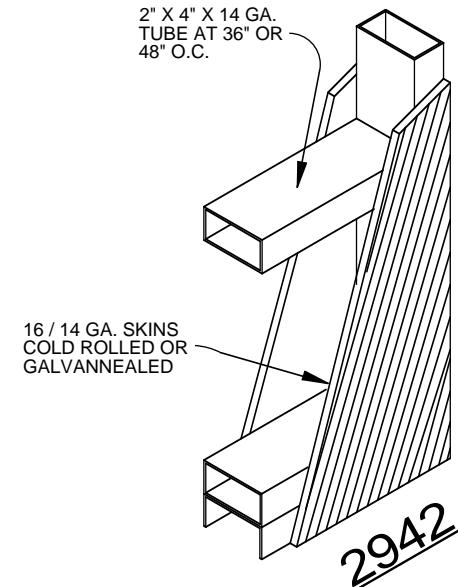
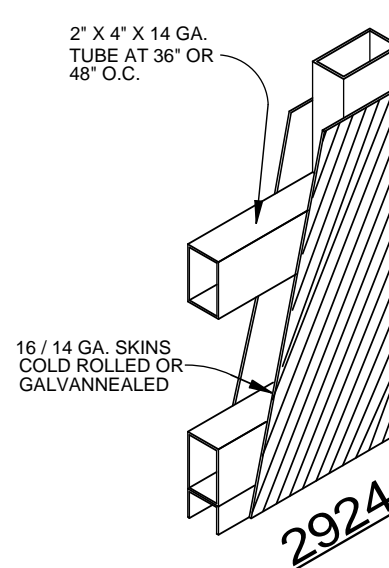
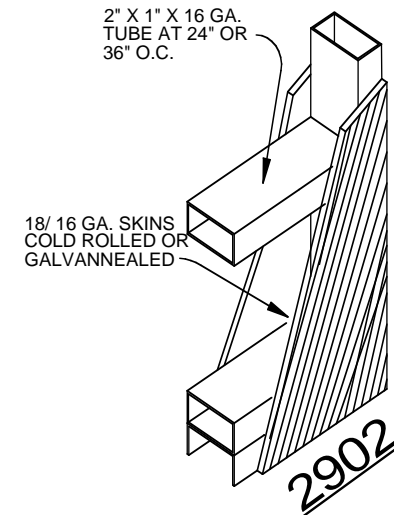
2900 SERIES FIRE DOOR SELECTION CHART

MODEL NUMBER	APPROXIMATE DOOR WEIGHT	FRAME MATERIAL	EXTERIOR SKINS BOTH SIDES	DOOR THICKNESS	INSULATING VALUE
2902	6 LB/SQ FT	2" X 1" X 16 GA.	18/16 GA.	2 1/8"	R=7.7 U=.13
2924	10.5 LB/SQ FT	2" X 4" X 14 GA.	16/14 GA.	2 1/8"	R=7.7 U=.13
2942	10.5 LB/SQ FT	4" X 2" X 14 GA.	16/14 GA.	4 1/8"	R=15.4 U=.07

DOOR SPECIFICATIONS

- DOORS AND HARDWARE WILL BE U.L. LISTED AND FACTORY MUTUAL APPROVED FOR A FOUR HOUR, THREE HOUR "A", ONE AND ONE HALF HOUR "B", OR THREE QUARTER HOUR "C", 450 DEGREE TEMPERATURE RISE IN 30 MIN. LABEL RATING.
- DOORS WILL BE CONSTRUCTED OF A TUBULAR STEEL PERIMETER FRAME. ALL CORNER JOINTS SHALL BE MITERED, REINFORCED, WELDED, AND THE SURFACE WELDS GROUND SMOOTH. ALL INTERMEDIATE STEEL STIFFENERS ARE WELDED TO THE FRAME ON APPROXIMATELY 24", 36", OR 48" CENTERS. 18, 16, OR 14 GAUGE COLD ROLLED STEEL SKINS WILL BE WELDED TO THE FRAME. ALL EXPOSED WELDS WILL BE GROUND SMOOTH.
- OPTIONS:
 GAVANNEALED STEEL SKINS
- DOORS WILL BE REINFORCED TO RECEIVE HARDWARE.
- HARDWARE FOR THE DOORS WILL HAVE A GALVANIZED OR ZINC PLATED FINISH. HARDWARE SHALL INCLUDE BOX TRACK, TRACK BRACKETS WITH ADJUSTABLE WALL ANGLES, BINDERS, INTERLOCKS, STAY ROLLERS, END STOPS, AND WALL BOLTS. HANGERS SHALL BE ZINC PLATED.
- ALL EXPOSED DOOR SURFACES WILL RECEIVE ONE COAT OF GRAY EPOXY RUST-INHIBITING PRIME PAINT AT THE FACTORY. ANY FINISH PAINT IS BY OTHERS.

THESE DOORS ARE DESIGNED AND TESTED FOR USE ON BRICK, BLOCK, OR CONCRETE BLOCK WALLS ONLY.



TYPICAL DOOR SECTIONS

NOTE: OTHER FRAME MATERIALS MAY BE AVAILABLE TO MEET OPENING SIZE AND/OR WINDLOAD REQUIREMENTS

2900 SERIES SLIDING FIRE DOOR



PROJECT	
LOCATION	JOB NUMBER:
ARCHITECT	DATE:
CONTRACTOR	DRAWN BY:
DISTRIBUTOR	DRAWING NO. OF